

## PD 分配电箱 Distribution box

### 概述

#### Overview

PD型分配电箱是用于船舶供电网络,向交流和直流负载设备分配电能的设备,具有过载和短路保护功能。

产品满足国内外船级社规范、船舶行业标准及国家标准。

PD distribution box is a kind of equipment used for marine power supply network to distribute the electric power to AC and DC load devices, with overload and short circuit protection functions.

The product meets the requirements of specifications of domestic and foreign ship classifications, shipbuilding industry standard and national standard.



### 产品特点

#### Product features

- 选用公司标准AE箱体,外形美观;  
Adopting the company's AE type standard box, with nice appearance;
- 箱门内嵌自成型密封材料,防护等级高;  
The box door is embedded with formed sealing material, and of high protection grade;
- 箱内设置可拆卸式防护盖板,安全性高。  
Removable protective cover plate is designed in the box for high security.

### 产品组成

#### Product composition

分配电箱通常由断路器及汇流排组成。根据实际需求,可选配指示灯、测量仪表、接触器、变压器等。

The distribution box mainly consists of circuit breakers and busbars. Indicator lights, measuring instruments, contactors, transformers and other components are optional.

### 技术指标

#### Technical index

- 工作电压: ≤AC690V, 50/60Hz; ≤DC750V  
Input voltage: ≤AC690V, 50/60Hz; ≤DC750V
- 安装形式: 嵌入式、壁挂式、落地式  
Installation: embedded, wall-mounted, floor type
- 防护等级: 最高可达IP56  
Protection grade: up to IP56

- 环境温度: -10°C ~ 55°C  
Surrounding temperature: -10°C ~ 55°C

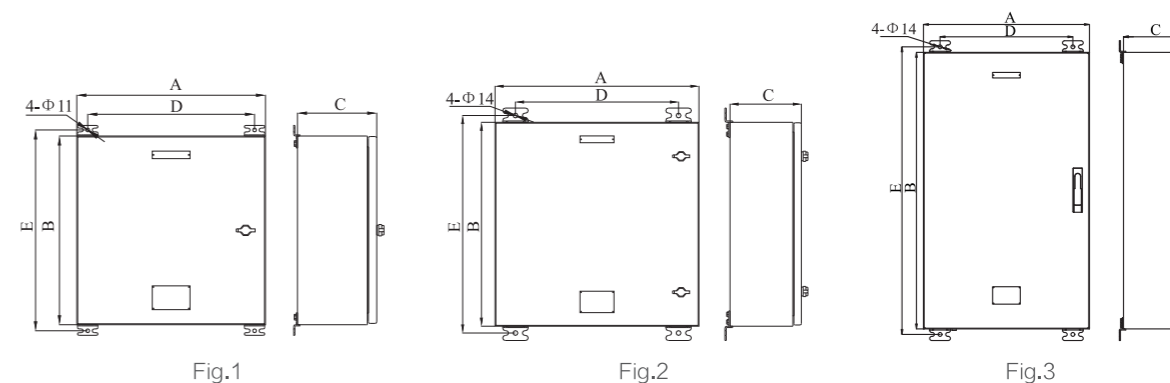
- 可选择的标准尺寸见下表:  
Standard sizes that can be selected are shown in the following table:

塑壳断路器分配电箱尺寸  
Size of distribution box equipped with molded case circuit breaker

断路器数量 Number of circuit breakers	外形尺寸 (mm) Outline dimensions (mm)			安装尺寸 (mm) Installation dimensions (mm)		备注 Remark
	宽(A) W	高(B) H	深(C) D	宽(D) W	高(E) H	
4	600	500	210	480	540	Fig.2
6	600	600	210	480	640	
8	600	700	210	480	740	
10	600	800	250	480	840	
12	600	900	250	480	940	Fig.3
14	600	1000	250	480	1040	
16	600	1200	250	480	1240	

微型断路器或熔断器分配电箱尺寸  
Size of distribution box equipped with miniature circuit breaker or fuse

断路器数量(以2P为准) Number of circuit breakers (based on 2P)	外形尺寸 (mm) Outline dimensions (mm)			安装尺寸 (mm) Installation dimensions (mm)		备注 Remark
	宽(A) W	高(B) H	深(C) D	宽(D) W	高(E) H	
≤10	500	400	210	442	432	Fig.1
≤16	500	500	210	380	540	Fig.2
≤22	500	600	210	380	640	
≤28	500	700	250	380	740	



## ► 型号命名

### Model naming

#### ■ 电力配电箱：

Power distribution box

电力配电箱 Power distribution box	PD5	-□	/□	□	□	/□	□	/□
开关台数 4;6;8;10;12;14;16 Number of breakeres 4;6;8;10;12;14;16								
极数 2;3;4 Number of poles 2;3;4								
开关类型 W:微型断路器; S:塑壳断路器 Breaker type W: Miniature circuit Breaker; S: Molded case circuit breaker								
防护等级 3: IP23; 4: IP44; 6: IP56 Protection grade 3: IP23; 4: IP44; 6: IP56								
电压等级 0: 24V; 1:110V; 2:230V; 3:380V/415V; 4:440/480V; 6:690V Voltage level 0: 24V; 1: 110V; 2: 230V; 3: 380V/415V; 4: 440/480V; 6: 690V								
电制 0: 直流; 1: 交流 Electric system 0: DC; 1: AC								
具有选配功能T: (含有指示灯、测量仪表、接触器、变压器等) With optional function T: (including Indicator lights, measuring instruments, contactors, transformers, etc.)								

#### ■ 照明配电箱

Lighting distribution box

照明配电箱 Lighting distribution box	PD6	-□	/□	□	□	/□	□	/□
开关台数(基于2P) 8;14;20;24 Number of breakeres (based on 2P) 8; 14; 20; 24								
电制 2:单相; 2P:三相平衡式 Electric 2: single phase; 2P: three-phase equilibrium								
开关类型 W:微型断路器 Breaker type W: miniature circuit breaker								
防护等级 3: IP23; 4: IP44; 6: IP56 Protection grade 3: IP23; 4: IP44; 6: IP56								
电压等级 0:24V; 1:110V; 2:220/230V Voltage level 0:24V; 1:110V; 2:220/230V								
电制 0: 直流; 1: 交流 Electric system 0: DC; 1: AC								
具有选配功能T: (含有指示灯、测量仪表、接触器、变压器等) With optional function T: (including Indicator lights, measuring instruments, contactors, transformers, etc.)								

#### ■ 应急照明配电箱：

Emergency lighting distribution box

应急照明配电箱 Emergency lighting distribution box	PD7	-□	/□	□	□	/□	□	/□
开关台数 (基于2P) 8;14;20;24 Number of breakeres (based on 2P) 8;14;20;24								
电制 2:单相; 2P:三相平衡式 Electric 2: single phase; 2P: three-phase equilibrium								
开关类型 W:微型断路器; R:熔断器 Breaker type W: miniature circuit breaker; R: fuse								
防护等级 3:IP23; 4:IP44; 6:IP56 Protection class 3:IP23; 4:IP44; 6:IP56								
电压等级 0:24V; 1:110V; 2:230V Voltage level 0:24V; 1:110V; 2:230V								
电制 0: 直流; 1: 交流 Electric system 0: DC; 1: AC								
具有选配功能T: (含有指示灯、测量仪表、接触器、变压器等) With optional function T: (including Indicator lights, measuring instruments, contactors, transformers, etc.)								

## ► 选型说明

### Selection description

例：PD6-14/2PW3/21

表示交流照明配电箱，14路，三相平衡式输出，采用微型断路器，防护等级为IP23，220/230V交流电源。

For example: PD6-14/2PW3/21

It means: Lighting distribution box, 14-way, three-phase equilibrium output, using miniature circuit breaker, IP23, AC220/230V power supply.

备注：

Remark:

客户根据需要选择配电箱的种类、路数、极数、电制、开关类型及防护等级即可。若需要选配测量仪表、接触器、变压器等，请在技术协议或订货说明中标出。

Customers can choose the type, number of ways, number of poles, electric breaker type and protection grade of the distribution box as required. If necessary, measuring instruments, contactors, transformers and others are optional, please indicate in the technical agreement or ordering instructions.

针对客户提出的特殊要求，配电箱的外形尺寸需要另定。当配电箱高度超过1200mm，或塑壳断路器数量超过16路，请将安装方式改为落地式，选型规则不变，尺寸另定。

According to customer's special requirements, the outline dimensions of the distribution box need to be separately designated. When the distribution box is more than 1200mm in height, or the number of molded case circuit breaker is more than 16, the installation mode will be changed to floor type, but the selection rules remain unchanged and the sizes need to be separately designated.